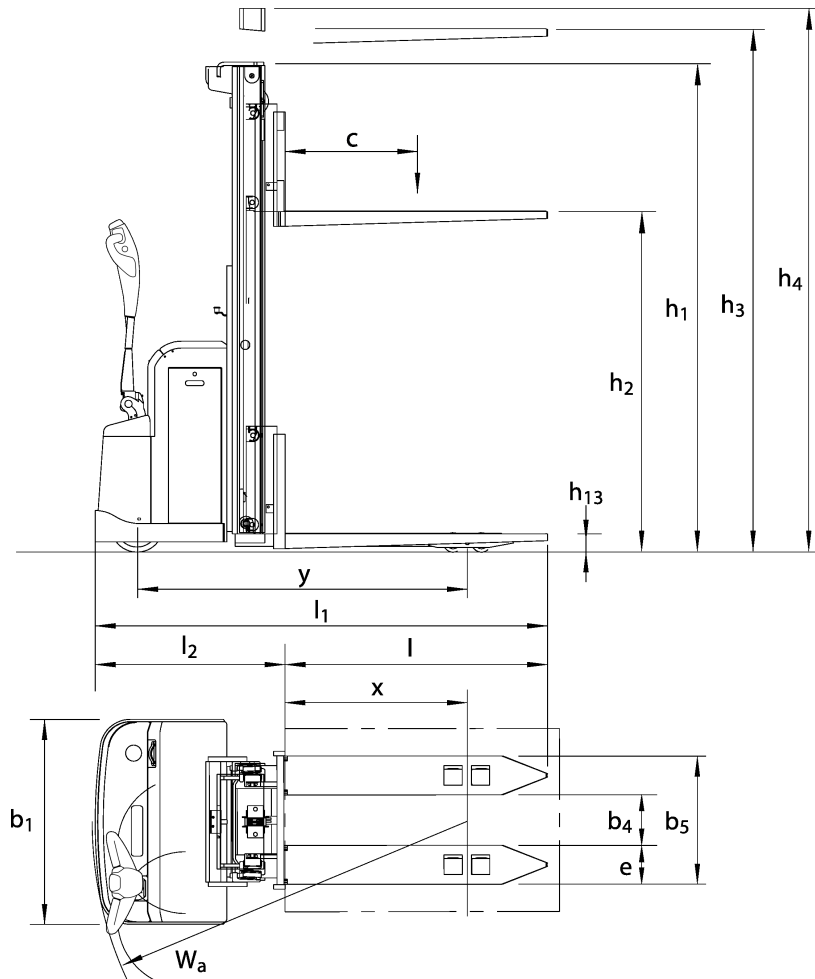


# PEDESTRIAN STACKER

## SPH 160ST

The pedestrian stacker for heavy operation. Robust and powerful. Battery on rollers. Offset tiller arm with all controls in the tillerhead for easy handling.



| Mast type       | Lift height H | Height of mast lowered h1 | Max mast height h4 |
|-----------------|---------------|---------------------------|--------------------|
| Standard/Duplex | 1670          | 1390                      | 2170               |
|                 | 2400          | 1755                      | 2900               |
|                 | 2900          | 2005                      | 3400               |
|                 | 3200          | 2155                      | 3700               |
|                 | 3600          | 2355                      | 4100               |
|                 | 3800          | 2455                      | 4300               |
|                 | 4200          | 2655                      | 4700               |
| Triples         |               |                           |                    |

|                     |        |   |                             |            |                    |
|---------------------|--------|---|-----------------------------|------------|--------------------|
| Distinguishing mark | 0      | Specification   |                             | SPH 160ST  |                    |
|                     | 1.2    | Manufacturer's type designation                                     |                             | PSH 160ST  |                    |
|                     | 1.3    | Drive: electric (battery or mains), diesel, petrol, fuel gas        |                             | Electric   |                    |
|                     | 1.4    | Operator type: hand, pedestrian, standing, seated, order-picker     |                             | Pedestrian |                    |
|                     | 1.5    | Load capacity/rated load  | Q                           | t          | 1,6                |
|                     | 1.6    | Load centre distance  | c                           | mm         | 400-600            |
|                     | 1.8    | Load distance, centre of load axle to fork                          | X                           |            | 650 / 800          |
|                     | 1.9    | Wheelbase   | y                           | mm         | 1294 / 1444        |
|                     | Weight | 2.1   | Service weight incl battery |            | kg                 |
| 2.2                 |        | Axle load, with load, front/rear                                    |                             | kg         |                    |
| 2.3                 |        | Axle load, without load, front / rear                               |                             | kg         | 1040 / 1680        |
| 2.4                 |        | Axle load, fork outreached with load, front / rear                  |                             | kg         | 820 / 300          |
| 2.5                 |        | Axle load, fork retracted with load, front / rear                   |                             | kg         |                    |
| Tyres, chassis      | 3.1    | Tyres   |                             |            | Vulcollan          |
|                     | 3.2    | Tyre size, drive side   |                             | mm         | Ø 230x70           |
|                     | 3.3    | Tyre size, load side  |                             | mm         | Ø 85x75            |
|                     | 3.4    | Dimensions additional wheels (castor wheels)                        |                             | mm         | Ø 140x60           |
|                     | 3.5    | Wheels, number front/rear (drive side/load side, x = driven wheels) |                             |            | 1x 1/4             |
|                     | 3.6    | Track, drive side   | b10                         | mm         | 616                |
|                     | 3.7    | Track, load side  | b11                         | mm         | 390                |
| Dimensions          | 4.1    | Tilt of mast/fork carriage, forward/backward                        |                             | Grad       |                    |
|                     | 4.2    | Height, mast lowered  | h1                          | mm         | See table          |
|                     | 4.3    | Free lift   | h2                          | mm         | 130                |
|                     | 4.4    | Lift height H = h13+h3  | H                           | mm         | See table          |
|                     | 4.5    | Height, mast extended   | h4                          | mm         | See table          |
|                     | 4.6    | Straddle lift   | h5                          | mm         | 110 Option         |
|                     | 4.7    | Height of overhead guard (cabin)                                    | h6                          | mm         |                    |
|                     | 4.8    | Seat height/stand height  | h7                          | mm         |                    |
|                     | 4.10   | Height of wheel arms  | h8                          | mm         |                    |
|                     | 4.11   | Additional lift   | h9                          | mm         |                    |
|                     | 4.14   | Stand height, elevated  | h12                         | mm         |                    |
|                     | 4.15   | Height lowered  | h13                         | mm         | 90                 |
|                     | 4.19   | Overall length  | l1                          | mm         | 1830 - 1980        |
|                     | 4.20   | Length to face of forks   | l2                          | mm         | 825                |
|                     | 4.21   | Overall width   | b1                          | mm         | 895                |
|                     | 4.21.1 | Width over stabilizers  |                             | mm         |                    |
|                     | 4.22   | Fork dimensions   | s/e/l                       | mm         | 70/170/1000 - 1150 |
|                     | 4.23   | Fork carriage to ISO 2328, clas / form A, B                         |                             |            |                    |
|                     | 4.24   | Width of fork carriage  | b3                          | mm         | 600                |
|                     | 4.25   | Width over forks, min/max   | b5                          | mm         | 560                |
|                     | 4.26   | Distance between wheel arms   | b4                          | mm         |                    |
|                     | 4.27   | Width across guide rolls  | b6                          | mm         |                    |
|                     | 4.28   | Reach distance  | l4                          | mm         |                    |
|                     | 4.29   | Reach lateral   | b7                          | mm         |                    |
|                     | 4.30   | Reach lateral from vehicle centerline                               | b8                          | mm         |                    |
|                     | 4.31   | Ground clearance, mast  | m1                          | mm         | 23                 |
|                     | 4.32   | Ground clearance, centre of wheelbase                               | m2                          | mm         | 23                 |
|                     | 4.33   | Aisle width with pallet 1000 x 1200, crosswise                      | Ast                         | mm         | 2575 / 2665        |
|                     | 4.34   | Aisle width for pallet 800 x 1200, lengthwise                       | Ast                         | mm         | 2560 / 2595        |
|                     |        | Transfer aisle  | 0                           | mm         |                    |
|                     | 4.35   | Turning radius  | Wa                          | mm         | 1680 / 1828        |
|                     | 4.37   | Length incl reach legs  | l7                          | mm         |                    |
|                     | 4.38   | Distance to swivelling-fork pivot                                   | 0                           | mm         |                    |
| Performance data    | 5.1    | Travel speed, with/without load                                     |                             | km/h       | 5,5 / 5,9          |
|                     | 5.1.1  | Travel speed with/without load, backwards                           |                             | km/h       |                    |
|                     | 5.2    | Lift speed, with/without load                                       |                             | m/s        | 0,16 / 0,25        |
|                     | 5.3    | Lowering speed, with/without load                                   |                             | m/s        | 0,39 / 0,33        |
|                     | 5.4    | Reach speed, with / without load                                    |                             | m/s        |                    |
|                     | 5.7    | Gradient, with/without load   |                             | %          | 8 / 16             |
|                     | 5.8    | Max gradeability, with / without load, 5 min rating                 |                             | %          |                    |
|                     | 5.9    | Acceleration time 0-10 m, with/without load                         |                             | s          | 4,63 / 4,34        |
|                     | 5.10   | Service brake: electric, hydraulic                                  |                             |            | Electric           |
|                     | 5.10.1 | Parking brake: electric, hydraulic                                  |                             |            | Electric           |
| Electric engine     | 6.1    | Drive motor, rating S2 60 min                                       |                             | kW         | 1,3 AC             |
|                     | 6.2    | Lift motor  |                             | kW         | 4,0                |
|                     | 6.3    | Battery according to DIN 43531/35/36                                | A,B,C                       |            |                    |
|                     | 6.4    | Battery voltage / Battery capacity                                  |                             | V/Ah       | 24 / 240-345       |
|                     | 6.5    | Battery weight  |                             | kg         | 240 - 300          |
|                     | 6.6    | Power consumption according to VDI cycle                            |                             | kWh/h      |                    |
| Additional data     | 8.1    | Speed regulation  |                             |            | AC                 |
|                     | 10.1   | Operating pressure attachments                                      |                             | bar        |                    |
|                     | 10.2   | Oil flow for attachments  |                             | l/min      |                    |
|                     | 10.7   | Noise level at operator's ear, according to EN 12 053               |                             | db(A)      |                    |

\* Varies according to battery size

All rights reserved to change above specification