



Hangcha Europe GmbH
 Mariechen-Graulich-Straße 12a,
 65439 Flörsheim am Main,
 Germany

Administration
 Tel: 0049-61453769188
 E-mail: admin@hangchaeurope.com

Sales Management
 Thomas Dittrich
 Mob: 0049-16096548808
 E-mail: thomas.dittrich@hangchaeurope.com

Technical Support
 Thomas Pannke
 Mob: 0049-01759284213
 E-mail: thomas.pannke@hangchaeurope.com

www.hangchaeurope.com



Folgen Sie uns auf Instagram



Folgen Sie uns auf Facebook



Folgen Sie uns auf YouTube



"Hangcha Forklift" App herunterladen



ISO14001:2015



ISO9001:2015



HANGCHA trucks conform to the European Safety Requirements.

HANGCHA Group Co., LTD behält sich das Recht vor, Änderungen bezgl. Farbe, Spezifikationen, Ausstattung und sonstige Details, dieser Broschüre ohne Vorankündigung vorzunehmen. Fahrzeugfarben können von den Farben in dieser Broschüre abweichen.



XE SERIES

ELECTRIC FORKLIFT TRUCK WITH LITHIUM POWER

With capacity of 1,500 to 3,800kg

XE
SERIES



BECOME THE FORKLIFT MEETING YOUR DIFFERENT NEEDS.

ADVANCED PERFORMANCE ■

HIGH EFFICIENCY ■

COMFORT ■



■ OUTDOOR OPERATION ABILITY

■ ERGONOMICS

■ RELIABILITY

■ MAINTENANCE

XE SERIES ELECTRIC FORKLIFT TRUCK WITH LITHIUM POWER

Your reliable, powerful and connected working machine.

XE series lithium battery forklifts are high quality products developed by Hangcha on the basis of the advantages of "lithium battery special structure" and "permanent magnet synchronous technology".

XE SERIES



TAKE ON THE BIG JOBS.

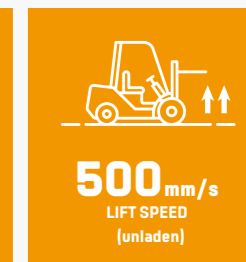
Following the family design of electric forklifts, they are provided with some key parts compatible with internal combustion forklifts, and optimized mainly on the overall performance, ergonomics, reliability, maintenance, outdoor operation ability and load capacity in a bid to meet customers' use scenarios of internal combustion forklifts. The enhanced model is capable of meeting the application demand of users in heavy-duty working conditions.

STYLISH EXTERIOR

- Following the family exterior design of XH and XC lithium battery forklifts;
- Boasting smooth and powerful contour lines, and simple and elegant vehicle body, and presenting both fashion and steadiness as a whole.

ENERGY-SAVING AND EFFICIENT

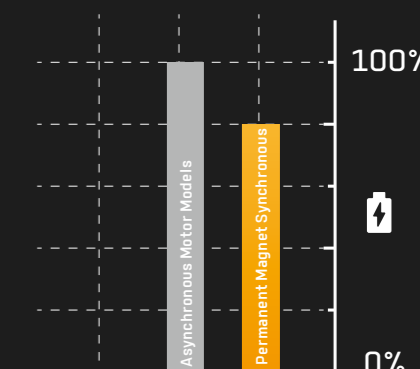
- An efficient high-torque motor together with a high speed ratio gearbox significantly improves the travel speed, gradeability and lifting speed;
- The air-cooled fan built in the travel and lifting motors allow better heat dissipation and more thorough performance realization;
- Oil pump reducers are introduced in the oil pump devices for the first time, enabling the lifting motor to work in a more efficient and more energy-saving manner;



TAKE ADVANTAGE OF MORE POWER

With the **80V dual permanent magnet synchronous motor system** with higher power density, as well the highly fitted speed reducer, motors and electrical control, under the same operating conditions, compared with the traditional asynchronous motor model, the energy consumption is reduced by 15%-20%.

15-20%
ENERGY SAVING





COMFORTABLE EXPERIENCE

- With the advantages of lithium battery forklifts, this ergonomically designed forklift enables a wide view and a large operation space.
- The optional electronic handbrake allows more comfortable driving experience.
- The color-screen instruments are designed to have clear and intuitive graphic interfaces.



Color-screen instruments

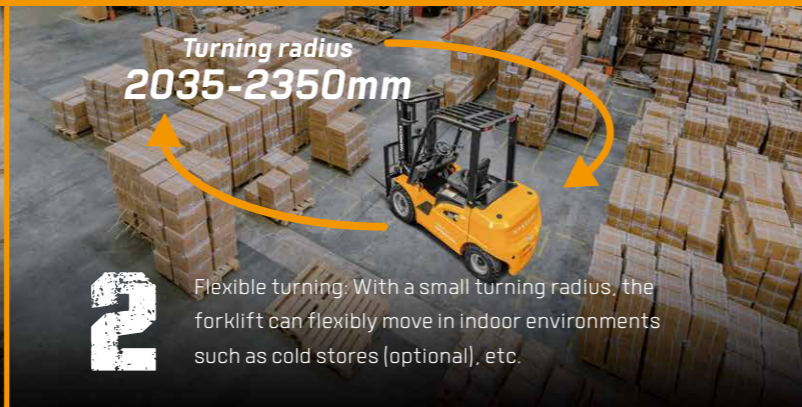


Ergonomically designed forklift enables a wide view

ADAPTABILITY TO DIFFERENT SCENARIOS



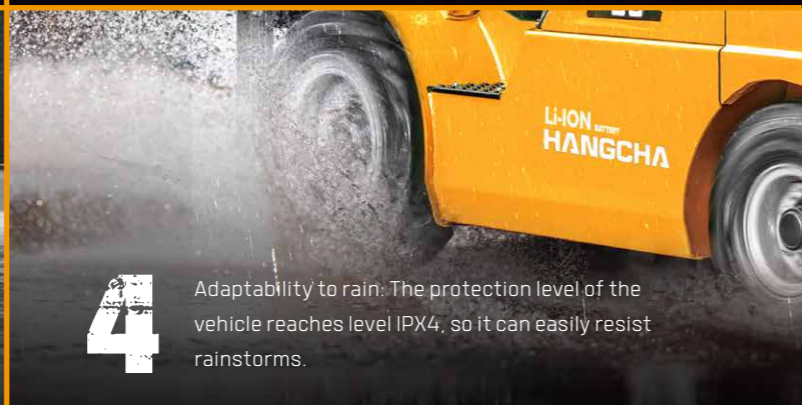
1 Smooth driving: Increased distance from the ground enables the forklift to adapt to rugged roads outdoors.



2 Flexible turning: With a small turning radius, the forklift can flexibly move in indoor environments such as cold stores (optional), etc.



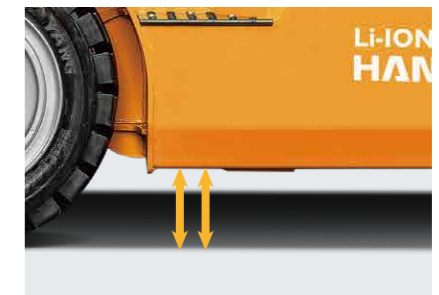
3 Adaptability to cold weather: For the standard configuration, the battery is equipped with an electric heating module to ensure normal operation in cold weather.



4 Adaptability to rain: The protection level of the vehicle reaches level IPX4, so it can easily resist rainstorms.

RELIABLE AND DURABLE

- The enhanced drive axle and gearbox with the mast, steering axles with tapered roller bearing (for the heavy-duty model) and big tires for internal combustion forklifts can meet the demand of application in heavy-duty working conditions;
- Low center of gravity and high load margin are designed for more stable working;
- Verified in accordance with double standards of electric forklifts and internal combustion forklifts, with the enhanced test strength higher than that for the internal combustion standard, this forklift is reliable and durable.



Ground clearance increased



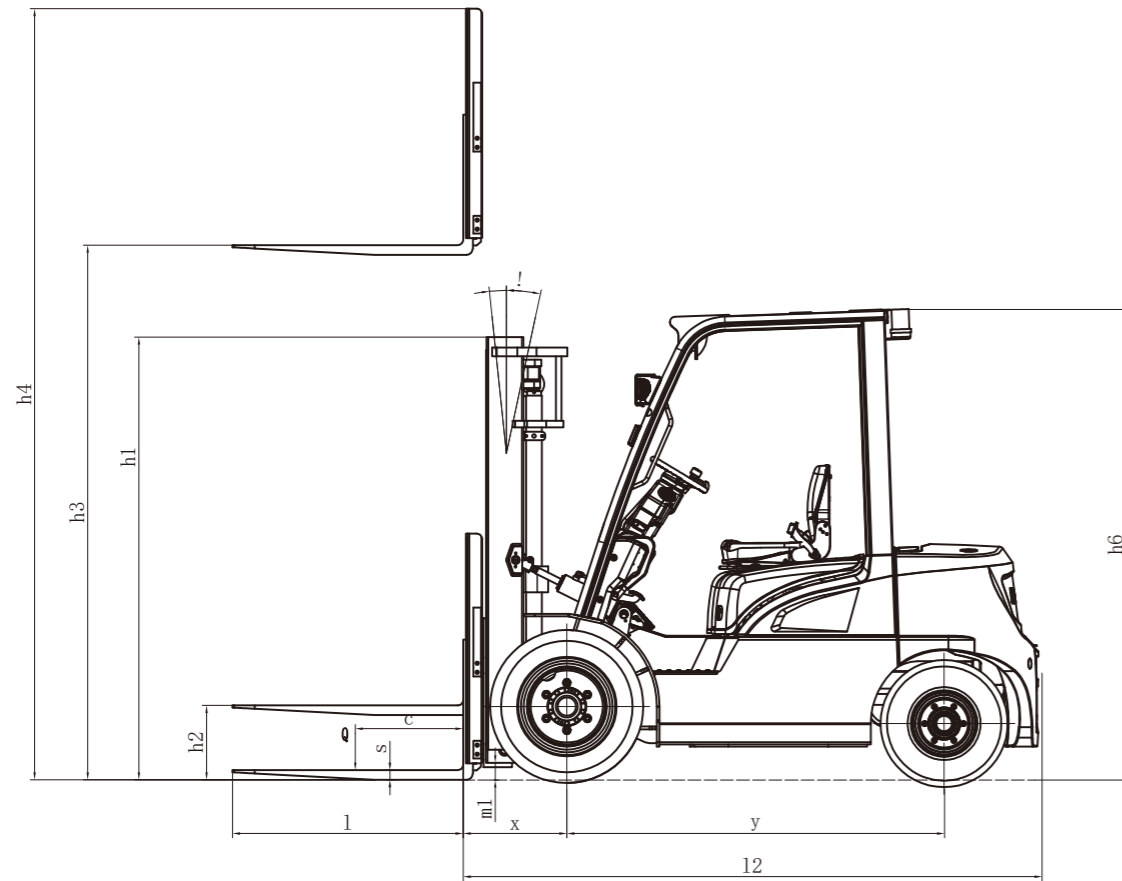
Optional battery list

Capacity(Ah) Hangcha	1.5-mini2.0t 80V	2.0-2.5t 80V		3.0-3.8t 80V		
		Std.	H	Std.	H	H1
160	●	○	/	/	/	/
230	○	●	/	●	/	/
280	○	○	○	○	○	/
304	○	○	●	○	●	/
460	/	○	○	○	○	●
560	/	/	/	/	○	○
608	/	/	/	/	/	○

Capacity(Ah) CATL	1.5-mini2.0t 80V	2.0-2.5t 80V		3.0-3.8t 80V		
		Std.	H	Std.	H	H1
228	○	○	/	/	/	/
302	○	○	○	○	○	/
375	/	○	○	○	○	/
456	/	○	○	○	○	○
604	/	/	/	/	/	○

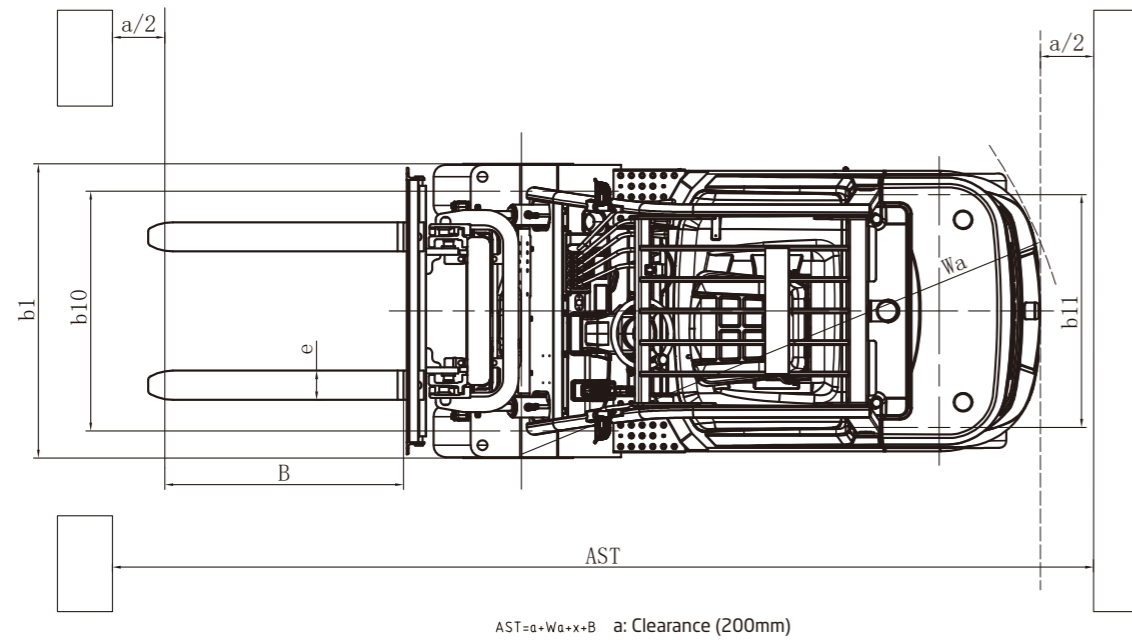
Note: ● Standard battery capacity; ○ Optional battery capacity;

1.5-mini2.0t Mast specification

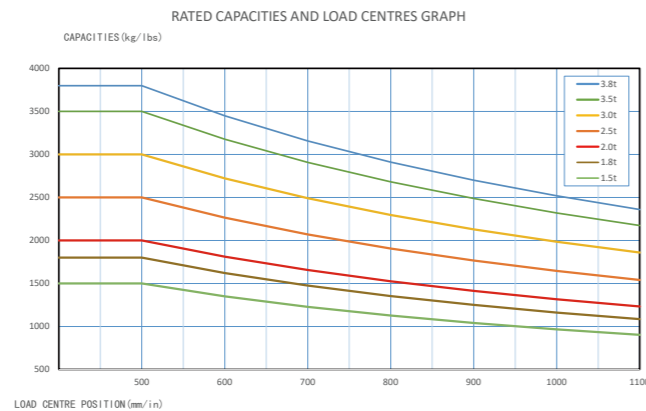


Type	Model			Lifting height	Lowered overall height		Overall height				Free lift height				Tilt range	Capacity (Mast vertical to ground)							
							Without backrest		With backrest		Without backrest		With backrest			Load Capacity at 500mm			Load Capacity at 500mm				
	1.5t	1.8t	mini2.0t	mm	mm	mm	mm	mm	mm	mm	mm	mm	mm	mm	mm	mm	mm	mm	mm	mm	mm	mm	mm
Duplex wide view mast	A2A15M200	A2A18M200	XEX20M200	2000	1495	1495	2548	2504	2955	2955	155	160	155	160	6/6	1500	1800	2000	1500	1800	2000		
	A2A15M250	A2A18M250	XEX20M250	2500	1745	1745	3048	3004	3455	3455	155	160	155	160	6/12	1500	1800	2000	1500	1800	2000		
	A2A15M270	A2A18M270	XEX20M270	2700	1845	1845	3248	3204	3655	3655	155	160	155	160	6/12	1500	1800	2000	1500	1800	2000		
	A2A15M300	A2A18M300	XEX20M300	3000	1995	1995	3548	3504	3955	3955	155	160	155	160	6/12	1500	1800	2000	1500	1800	2000		
	A2A15M330	A2A18M330	XEX20M330	3300	2145	2145	3848	3804	4255	4255	155	160	155	160	6/12	1500	1800	2000	1500	1800	2000		
	A2A15M360	A2A18M360	XEX20M360	3600	2345	2345	4148	4104	4555	4555	155	160	155	160	6/12	1500	1800	2000	1500	1800	2000		
	A2A15M400	A2A18M400	XEX20M400	4000	2595	2595	4548	4504	4955	4955	155	160	155	160	6/6	1500	1800	2000	1500	1800	2000		
	A2A15M430	A2A18M430	XEX20M430	4300	2745	2745	4848	4804	5255	5255	155	160	155	160	6/6	1500	1700	1900	1500	1750	2000		
	A2A15M450	A2A18M450	XEX20M450	4500	2845	2845	5048	5004	5455	5455	155	160	155	160	6/6	1500	1650	1850	1500	1700	1900		
	A2A15M480	A2A18M480	XEX20M480	4800	2995	2995	5348	5304	5755	5755	155	160	155	160	6/6	1400	1600	1800	1500	1650	1850		
Duplex full-free mast	A2A15U250	A2A18U250	XEX20U250	2500	1760	1745	3074	3060	3445	3445	1185	1185	815	800	6/12	1500	1800	2000	1500	1800	2000		
	A2A15U270	A2A18U270	XEX20U270	2700	1860	1845	3274	3260	3645	3645	1285	1285	915	900	6/12	1500	1800	2000	1500	1800	2000		
	A2A15U300	A2A18U300	XEX20U300	3000	2010	1995	3574	3560	3945	3945	1435	1435	1065	1050	6/12	1500	1800	2000	1500	1800	2000		
	A2A15U330	A2A18U330	XEX20U330	3300	2160	2145	3874	3860	4245	4245	1585	1585	1215	1200	6/12	1500	1800	2000	1500	1800	2000		
	A2A15U360	A2A18U360	XEX20U360	3600	2310	2295	4174	4160	4545	4545	1735	1735	1365	1350	6/12	1500	1800	2000	1500	1800	2000		
	A2A15U400	A2A18U400	XEX20U400	4000	2560	2545	4574	4560	4945	4945	1985	1985	1615	1600	6/12	1500	1800	2000	1500	1800	2000		
Triplex full-free mast	A2A15N400	A2A18N400	XEX20N400	4000	1960	1945	4694	4680	5075	5075	1276	1276	1015	1000	6/6	1500	1800	1950	1500	1800	2000		
	A2A15N430	A2A18N430	XEX20N430	4300	2060	2045	4994	4980	5385	5385	1376	1376	1115	1100	6/6	1500	1650	1850	1500	1800	1950		
	A2A15N450	A2A18N450	XEX20N450	4500	2110	2095	5194	5180	5575	5575	1426	1426	1165	1150	6/6	1500	1650	1800	1500	1750	1900		
	A2A15N470	A2A18N470	XEX20N470	4700	2210	2195	5394	5380	5775	5775	1526	1526	1265	1250	6/6	1400	1600	1750	1500	1650	1850		
	A2A15N480	A2A18N480	XEX20N480	4800	2260	2195	5494	5337	5755	5755	1576	1642	1315	1250	6/6	1400	1600	1750	1500	1650	1850		
	A2A15N500	A2A18N500	XEX20N500	5000	2360	2295	5694	5537	5955	5955	1676	1742	1415	1350	6/6	1400	1550	1700	1450	1600	1800		
	A2A15N550	A2A18N550	XEX20N550	5500	2560	2445	6194	6037	6455	6455	1876	1892	1615	1500	3/6	1250	1500	1650	1350	1550	1750		
	A2A15N600	A2A18N600	XEX20N600	6000	2810	2645	6694	6537	6955	6955	2126	2092	1865	1700	3/6	1100	1300	1450	1150	1400	1500		

SUBTRACT 100kg WITH INTEGRAL SIDESHIFTER, SUBTRACT 150kg WITH EXTERNAL SIDESHIFTER.



AST=a+Wa+x+B a: Clearance (200mm)



2-2.5t Mast specification

Type	Model	Lifting height	Lowered overall height	Overall height		Free lift height		Tilt range	Capacity (Mast vertical to ground)			
				Without backrest	With backrest	Without backrest	With backrest		Load Capacity at 500mm		Load Capacity at 500mm	
				mm	mm	mm	mm	mm	mm	(°)	2t	2.5t
Duplex wide view mast	A2A25M200	2000	1499	2707	3046	160	160	6/6	2000	2500	2000	2500
	A2A25M250	2500	1749	3207	3546	160	160	6/12	2000	2500	2000	2500
	A2A25M270	2700	1849	3407	3746	160	160	6/12	2000	2500	2000	2500
	A2A25M300	3000	1999	3707	4046	160	160	6/12	2000	2500	2000	2500
	A2A25M330	3300	2149	4007	4346	160	160	6/12	2000	2500	2000	2500
	A2A25M360	3600	2349	4307	4646	160	160	6/12	2000	2500	2000	2500
	A2A25M400	4000	2599	4707	5046	160	160	6/6	2000	2500	2000	2500
	A2A25M430	4300	2749	5007	5346	160	160	6/6	2000	2500	2000	2500
	A2A25M450	4500	2849	5207	5546	160	160	6/6	2000	2450	2000	2500
	A2A25M480	4800	2999	5507	5846	160	160	6/6	1950	2350	2000	2450
Duplex full-free mast	A2A25M500	5000	3099	5707	6046	160	160	6/6	1850	2300	1950	2350
	A2A25M550	5500	3349	6207	6546	160	160	3/6	1750	2150	1900	2200
	A2A25M600	6000	3599	6707	7046	160	160	3/6	1550	1900	1800	2000
	A2A25U250	2500	1764	3179	3546	1025	619	6/12	2000	2500	2000	2500
	A2A25U270	2700	1864	3379	3746	1125	719	6/12	2000	2500	2000	2500
	A2A25U300	3000	2014	3679	4046	1275	869	6/12	2000	2500	2000	2500
Triplex full-free mast	A2A25U330	3300	2164	3979	4346	1425	1019	6/12	2000	2500	2000	2500
	A2A25U360	3600	2314	4279	4646	1575	1169	6/12	2000	2500	2000	2500
	A2A25U400	4000	2564	4679	5046	1825	1419	6/12	2000	2500	2000	2500
	A2A25N400	4000	1964	4739	5046	1285	918	6/6	2000	2500	2000	2500
	A2A25N430	4300	2064	5039	5346	1385	1018	6/6	2000	2450	2000	2500
	A2A25N450	4500	2114	5239	5546	1435	1068	6/6	2000	2350	2000	2450
	A2A25N470	4700	2214	5439	5746	1535	1168	6/6	1950	2250	2000	2350
	A2A25N480	4800	2264	5539	5846	1585	1218	6/6	1950	2250	2000	2350
Triplex full-free mast	A2A25N500	5000	2364	5739	6046	1685	1318	6/6	1850	2150	1950	2250
	A2A25N550	5500	2564	6239	6546	1885	1518	3/6	1750	2050	1900	2100
	A2A25N600	6000	2814	6739	7046	2135	1768	3/6	1550	1850	1800	1950
	A2A25N650	6500	3014	7239	7546	2335	1968	3/6	/	/	1550	1800
A2A25N700	7000	3264	7764	8046	2500	2218	3/6	/	/	1150	1450	

SUBTRACT 100kg WITH INTEGRAL SIDESHIFTER, SUBTRACT 150kg WITH EXTERNAL SIDESHIFTER.

3-3.8t Mast specification

Type	Model		Lifting height	Lowered overall height		Overall height				Free lift height			Tilt range	Capacity (Mast vertical to ground)						
						Without backrest		With backrest		Without backrest		With backrest		FWD/RWD	Load Capacity at 500mm			Load Capacity at 500mm		
	3t	3.5/3.8t	3t	3.5/3.8t	3t	3.5/3.8t	3t	3.5/3.8t	3t	3.5t	3.8t	3t	3.5t		3.8t	3t	3.5t	3.8t		
Duplex wide view mast	A2A30M200	A2A35M200	2000	1554	1669	2767	2842	3145	3145	165	170	165	170	6/6	3000	3500	3800	3000	3500	3800
	A2A30M250	A2A35M250	2500	1804	1919	3267	3342	3645	3645	165	170	165	170	6/12	3000	3500	3800	3000	3500	3800
	A2A30M270	A2A35M270	2700	1904	2019	3467	3542	3845	3845	165	170	165	170	6/12	3000	3500	3800	3000	3500	3800
	A2A30M300	A2A35M300	3000	2054	2169	3767	3842	4145	4145	165	170	165	170	6/12	3000	3500	3800	3000	3500	3800
	A2A30M330	A2A35M330	3300	2204	2319	4067	4142	4445	4445	165	170	165	170	6/12	3000	3500	3800	3000	3500	3800
	A2A30M360	A2A35M360	3600	2404	2469	4367	4442	4745	4745	165	170	165	170	6/12	3000	3500	3800	3000	3500	3800
	A2A30M400	A2A35M400	4000	2654	2769	4767	4842	5145	5145	165	170	165	170	6/12	3000	3500	3800	3000	3500	3800
	A2A30M430	A2A35M430	4300	2804	2919	5067	5142	5445	5445	165	170	165	170	6/6	3000	3400	3700	3000	3500	3800
	A2A30M450	A2A35M450	4500	2904	3019	5267	5342	5645	5645	165	170	165	170	6/6	3000	3300	3600	3000	3400	3700
	A2A30M480	A2A35M480	4800	3054	3169	5567	5642	5945	5945	165	170	165	170	6/6	2950	3200	3500	3000	3300	3600
	A2A30M500	A2A35M500	5000	3154	3269	5767	5842	6145	6145	165	170	165	170	6/6	2850	3100	3400	2900	3200	3500
	A2A30M550	A2A35M550	5500	3404	3519	6267	6342	6645	6645	165	170	165	170	3/6	2670	3000	3300	2750	3100	3400
	A2A30M600	A2A35M600	6000	3654	3769	6767	6842	7145	7145	165	170	165	170	3/6	2350	2650	2950	2500	2800	3100
	Duplex full-free mast	A2A30U250	A2A35U250	2500	1834	1934	3316	3391	3645	3645	1018	1043	689	789	6/12	3000	3500	3800	3000	3500
A2A30U270		A2A35U270	2700	1934	2034	3516	3591	3845	3845	1118	1143	789	889	6/12	3000	3500	3800	3000	3500	3800
A2A30U300		A2A35U300	3000	2084	2184	3816	3891	4145	4145	1268	1293	939	1039	6/12	3000	3500	3800	3000	3500	3800
A2A30U330		A2A35U330	3300	2234	2334	4116	4191	4445	4445	1418	1443	1089	1189	6/12	3000	3500	3800	3000	3500	3800
Triplex full-free mast	A2A30U360	A2A35U360	3600	2384	2484	4416	4491	4745	4745	1568	1593	1239	1339	6/12	3000	3500	3800	3000	3500	3800
	A2A30U400	A2A35U400	4000	2634	2734	4816	4891	5145	5145	1818	1843	1489	1589	6/12	3000	3500	3800	3000	3500	3800
	A2A30N400	A2A35N400	4000	2019	2119	4816	4891	5145	5145	1203	1228	874	974	6/6	3000	3400	3700	3000	3500	3800
	A2A30N430	A2A35N430	4300	2119	2219	5116	5191	5445	5445	1303	1328	974	1074	6/6	3000	3300	3600	3000	3400	3700
	A2A30N450	A2A35N450	4500	2169	2319	5316	5391	5645	5645	1353	1428	1024	1174	6/6	3000	3200	3500	3000	3300	3600
	A2A30N470	A2A35N470	4700	2269	2419	5516	5591	5845	5845	1453	1528	1124	1274	6/6	2900	3100	3400	2950	3200	3500
	A2A30N480	A2A35N480	4800	2319	2469	5616	5691	5945	5945	1503	1578	1174	1324	6/6	2900	3100	3400	2950	3200	3500
	A2A30N500	A2A35N500	5000	2419	2619	5816	5891	6145	6145	1603	1728	1274	1474	6/6	2850	3100	3350	2900	3200	3450
	A2A30N550	A2A35N550	5500	2619	2869	6316	6391	6645	6645	1803	1978	1474	1724	3/6	2670	3000	3250	2750	3100	3350
	A2A30N600	A2A35N600	6000	2869	3119	6816	6919	7145	7145	2053	2200	1724	1974	3/6	2350	2650	2900	2500	2800	3050
	A2A30N650	A2A35N650	6500	3119	3369	7316	7391	7645	7645	2303	2478	1974	2224	3/6	/	/	/	2200	2400	2650
	A2A30N700	A2A35N700	7000	3369	3619	7816	7919	8145	8145	2553	2700	2274	2474	3/6	/	/	/	1850	2050	2250

SUBTRACT 100kg WITH INTEGRAL SIDESHIFTER, SUBTRACT 200kg WITH EXTERNAL SIDESHIFTER.
3.5-3.8t can be equipped with 4.5m triplex mast for container work(2169mm).

3-3.8(H1)t Mast specification

Type	Model		Lifting height	Lowered overall height		Overall height				Free lift height			Tilt range	Capacity (Mast vertical to ground)						
						Without backrest		With backrest		Without backrest		With backrest		FWD/RWD	Load Capacity at 500mm			Load Capacity at 500mm		
	3t	3.5/3.8t	3t	3.5/3.8t	3t	3.5/3.8t	3t	3.5/3.8t	3t	3.5t	3.8t	3t	3.5t		3.8t	3t	3.5t	3.8t		
Duplex wide view mast	XR30M200	XR235M200	2000	1554	1669	2767	2842	3145	3145	165	170	165	170	6/6	3000	3500	3800	3000	3500	3800
	XR30M250	XR235M250	2500	1804	1919	3267	3342	3645	3645	165	170	165	170	6/12	3000	3500	3800	3000	3500	3800
	XR30M270	XR235M270	2700	1904	2019	3467	3542	3845	3845	165	170	165	170	6/12	3000	3500	3800	3000	3500	3800
	XR30M300	XR235M300	3000	2054	2169	3767	3842	4145	4145	165	170	165	170	6/12	3000	3500	3800	3000	3500	3800
	XR30M330	XR235M330	3300	2204	2319	4067	4142	4445	4445	165	170	165	170	6/12	3000	3500	3800	3000	3500	3800
	XR30M360	XR235M360	3600	2404	2469	4367	4442	4745	4745	165	170	165	170	6/12	3000	3500	3800	3000	3500	3800
	XR30M400	XR235M400	4000	2654	2769	4767	4842	5145	5145	165	170	165	170	6/12	3000	3500	3800	3000	3500	3800
	XR30M430	XR235M430	4300	2804	2919	5067	5142	5445	5445	165	170	165	170	6/6	3000	3400	3700	3000	3500	3800
	XR30M450	XR235M450	4500	2904	3019	5267	5342	5645	5645	165	170	165	170	6/6	3000	3300	3600	3000	3400	3700
	XR30M480	XR235M480	4800	3054	3169	5567	5642	5945	5945	165	170	165	170	6/6	2950	3200	3500	3000	3300	3600
	XR30M500	XR235M500	5000	3154	3269	5767	5842	6145	6145	165	170	165	170	6/6	2850	3100	3400	2900	3200	3500
	XR30M550	XR235M550	5500	3404	3519	6267	6342	6645	6645	165	170	165	170	3/6	2670	3000	3300	2750	3100	3400
	XR30M600	XR235M600	6000	3654	3769	6767	6842	7145	7145	165	170	165	170	3/6	2350	2650	2950	2500	2800	3100
	Duplex full-free mast	XR30U250	XR235U250	2500	1834	1934	3316	3391	3645	3645	1018	1043	689	789	6/12	3000	3500	3800	3000	3500
XR30U270		XR235U270	2700	1934	2034	3516	3591	3845	3845	1118	1143	789	889	6/12	3000	3500	3800	3000	3500	3800
XR30U300		XR235U300	3000	2084	2184	3816	3891	4145	4145	1268	1293	939	1039	6/12	3000	3500	3800	3000	3500	3800
XR30U330		XR235U330	3300	2234	2334	4116	4191	4445	4445	1418	1443	1089	1189	6/12	3000	3500	3800	3000	3500	3800
Triplex full-free mast	XR30U360	XR235U360	3600	2384	2484	4416	4491	4745	4745	1568	1593	1239	1339	6/12	3000	3500	3800	3000	3500	3800
	XR30U400	XR235U400	4000	2634	2734	4816	4891	5145	5145	1818	1843	1489	1589	6/12	3000	3500	3800	3000	3500	3800
	XR30N400	XR235N400	4000	2019	2119	4816	4891	5145	5145	1203	1228	874	974	6/6	3000	3400	3700	3000	3500	3800
	XR30N430	XR235N430	4300	2119	2219	5116	5191	5445	5445	1303	1328	974	1074	6/6	3000	3300	3600	3000	3400	3700
	XR30N450	XR235N450	4500	2169	2319	5316	5391	5645	5645	1353	1428	1024	1174	6/6	3000	3200	3500	3000	3300	3600
	XR30N470	XR235N470	4700	2269	2419	5516	5591	5845	5845	1453	1528	1124	1274	6/6	2900	3100	3400	2950	3200	3500
	XR30N480	XR235N480	4800	2319	2469	5616	5691	5945	5945	1503	1578	1174	1324	6/6	2900	3100	3400	2950	3200	3500
	XR30N500	XR235																		